

low dark current 0.3mm Analog InGaAs PIN photodiode

Version: 3.1 17-05-26

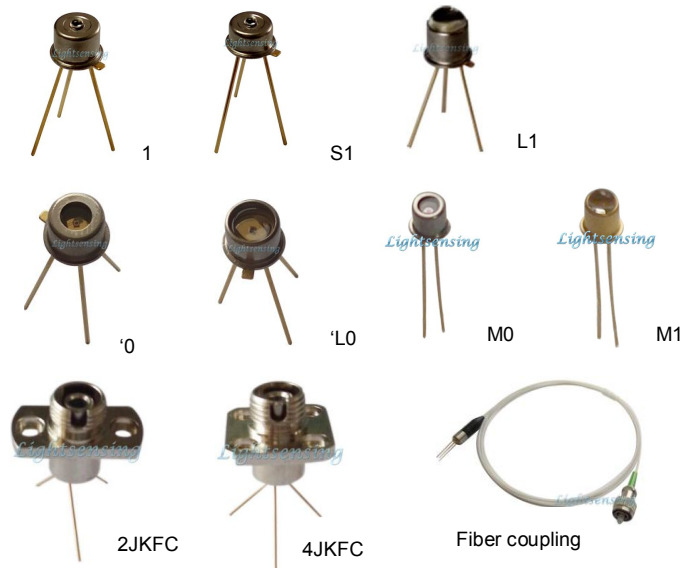
Model: LSIPD-UL0.3

Features:

- High reliability, Ultra low dark current
- 800-1700nm spectral range
- Active diameter 0.3mm
- Hermetic TO46 Can or Mini TO Can or with receptacle or with fiber coupling

Applications:

- Optical sensor and Analog CATV
- Optical power meter
- Industrial automatic control
- Medical field application
- Security field application



Absolute maximum ratings:

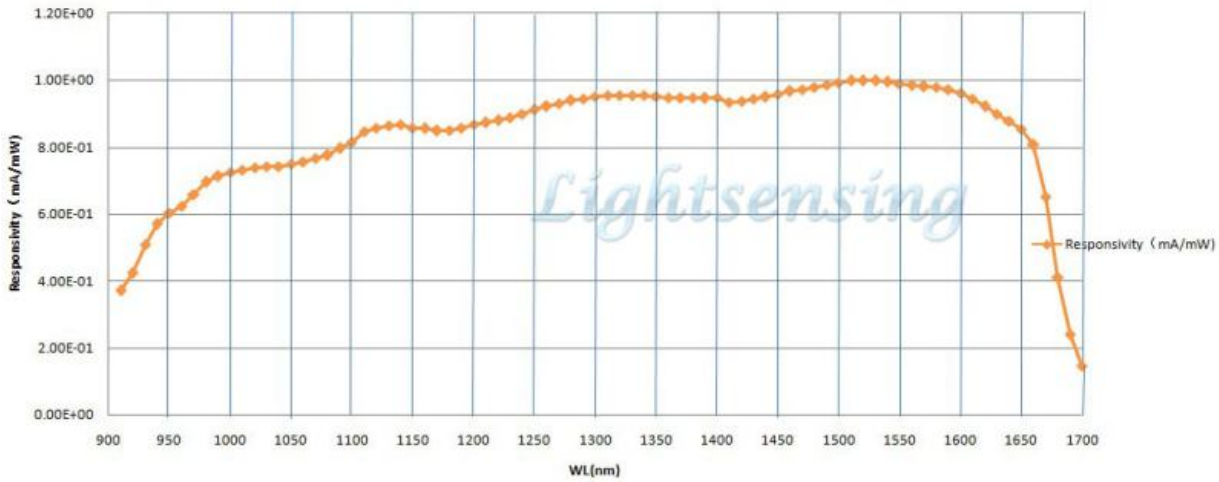
parameter	symbol	value	unit
Operating temperature	Top	-40~+85	°C
Storage temperature	Tstg	-40~+100	°C
Forward current	I _f	6	mA
Reverse voltage	V _r	20	V
Soldering temperature(time)	T _s (10s)	260	°C

Electrical and optical characteristics:(T=25°C)

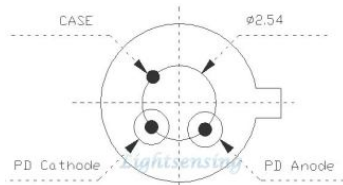
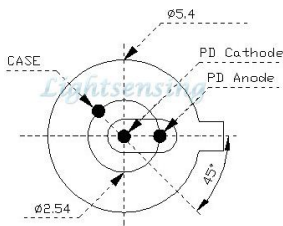
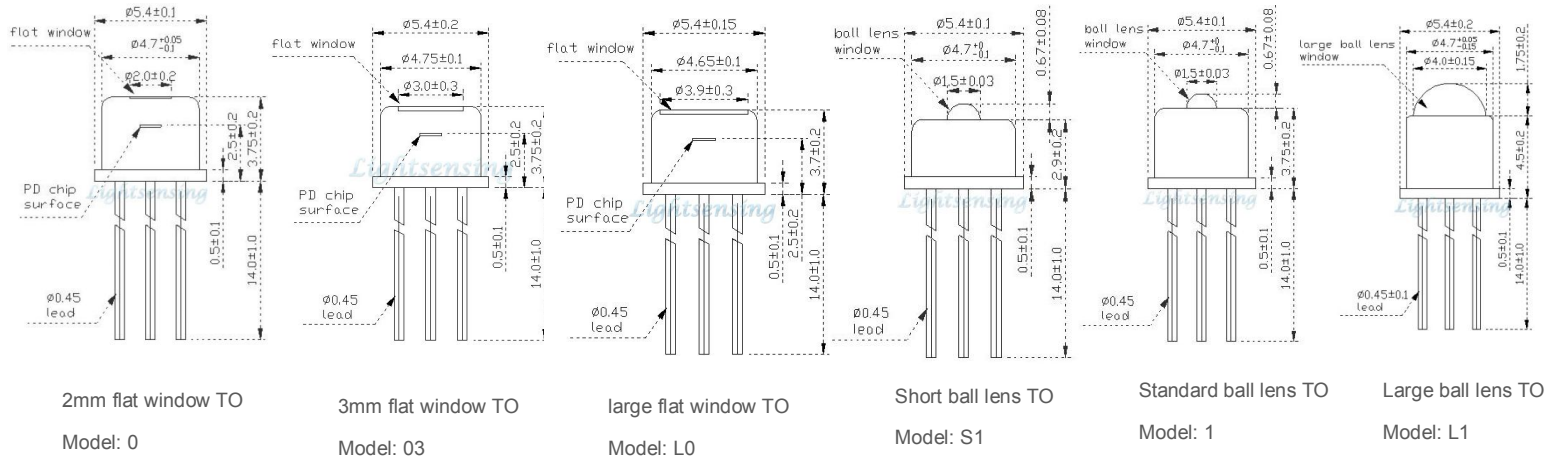
parameter	symbol	unit	Value (typ.)
Active diameter	Φ	mm	0.3
Spectral range	λ	nm	800-1700
Responsivity	Re(V _R =0V,λ=1310nm)	mA/mW	0.85
	Re(V _R =0V,λ=1550nm)	mA/mW	0.90
Response time	Tr (R _L =50Ω, V _R =5V)	ns	0.8
Dark current	Id(V _R =0V)	pA	2
	Id(V _R =5V)	pA	20
Reverse Breakdown voltage	V _{BR} (I _R =10uA)	V	30
Junction capacitance	C _j (f=1MHz, V _R =0V)	pF	900
	C _j (f=1MHz, V _R =5V)	pF	5
Saturated Optical Power	Ps(V _R =5V)	mW	5
2nd Order Inter-modulation distortion	CSO(Two tones, R _L =50Ω,1mW, VR=5V)	dBc	-75
Operating voltage	V _R	V	0-10
Shunt resistance	R _{sh} (V _R =10mV)	GΩ	5
package	Hermetic TO46 Can or Mini TO Can or with receptacle or fiber coupling		

NOTICE: The above product specifications are subject to change without notice.

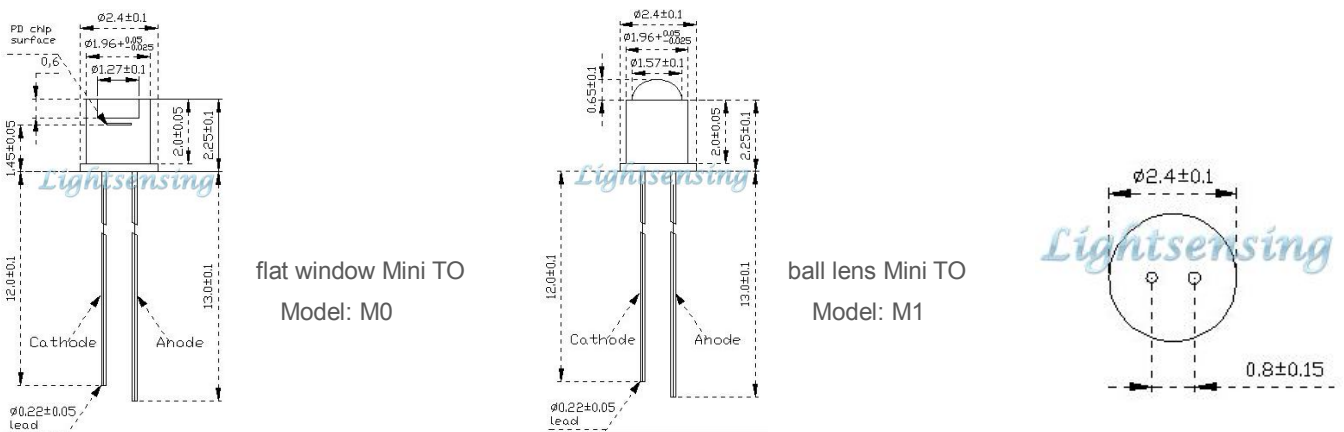
The typical Responsivity curve



TO46 TO package and Lead



Mini-TO Can package and Lead



Note: In order to get other dimensions, please contact us.

TO46 package Order information

LSIPD-UL0.3-X-X

X=A	Type A PIN description	X=0	TO-46 Can with 2mm flat window cap
X=B	Type B PIN description	X=0A	TO-46 Can with 2mm flat window cap and Antireflection Coatings
		X=03	TO-46 Can with 3mm flat window cap
		X=L0	TO-46 Can with 3.9mm flat window cap
		X=1	TO-46 Can with ball lens cap
		X=1A	TO-46 Can with ball lens cap and Antireflection Coatings
		X=S1	TO-46 Can with short ball lens cap
		X=S1A	TO-46 Can with short ball lens cap and Antireflection Coatings
		X=L1	TO-46 Can with large ball lens cap
		X=SMFA/P	TO-46 Can with SM Fiber coupling with FC-APC/FC-PC connector
		X=SMSA	TO-46 Can with SM Fiber coupling with SC-APC connector
		X=5MMFA/P	TO-46 Can with 50um MM Fiber coupling with FC-APC/FC-PC connector
		X=6MMFA/P	TO-46 Can with 62.5um MM Fiber coupling with FC-APC/FC-PC connector
		X=10MMA/P	TO-46 Can with 105um MM Fiber coupling with FC-APC/FC-PC connector
		X=20MMA/P	TO-46 Can with 200um MM Fiber coupling with FC-APC/FC-PC connector
		X=2JKFC	TO-46 Can with fixed receptacle with FC connector and 2 pieces of fix holes
		X=4JKFC	TO-46 Can with fixed receptacle with FC connector and 4 pieces of fix holes
		X=2JKFC-1	TO-46 Can with fixed receptacle with FC connector and 2 pieces of fix holes and better repeatability but with lower saturated power
		X=4JKFC-1	TO-46 Can with fixed receptacle with FC connector and 4 pieces of fix holes and better repeatability but with lower saturated power
		X=Other	By customer's request

Mini TO package Ordering information

LSIPD-UL0.3-X

X=M0	Mini TO Can with flat window cap
X=M1	Mini TO Can with ball lens window cap
X=M1-SMFA/P	Mini TO Can with SM Fiber coupling with FC-APC/FC-PC connector
X=M1-6MMFA/P	Mini TO Can with 62.5um MM Fiber coupling with FC-APC/FC-PC connector
X=M1-10MMFA/P	Mini TO Can with 105um MM Fiber coupling with FC-APC/FC-PC connector
X=M1-20MMFA/P	Mini TO Can with 200um MM Fiber coupling with FC-APC/FC-PC connector
X=Other	By customer's request

The Cautions

- 1: The above product specifications are subject to change without notice.
- 2: The suitable ESD protecting measures are recommend in storage,transporting and using.
- 3: The fiber bending radius no less than 20mm for avoiding fiber damaged ,Be sure the fiber coupling facet is clean before connecting it to opto-circuit.