

2mm InGaAs PIN photodiode

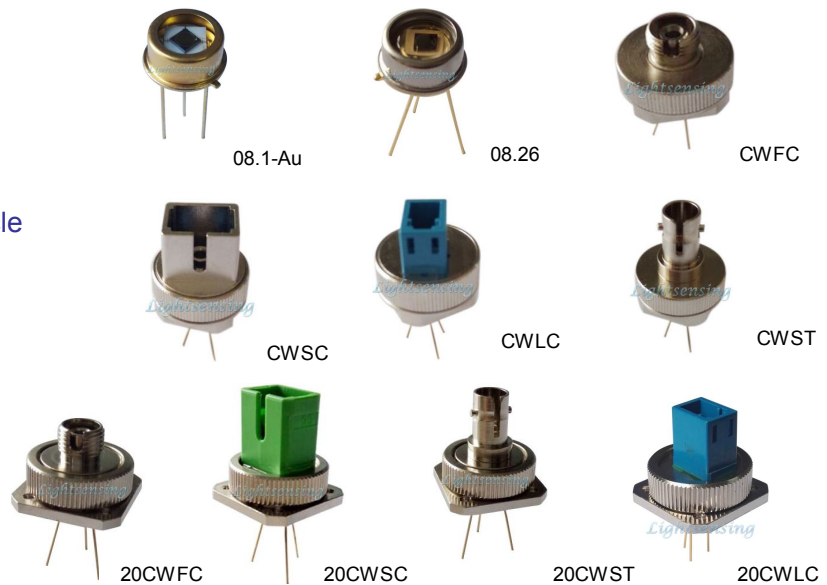
Version: 3.2 17-04-18

Model: LSIPD-L2
Features:

- High reliability, low dark current
- 800-1700nm spectral range
- Active diameter 2mm
- Hermetic TO5 Can or with receptacle

Applications:

- Optical sensor
- Optical power meter
- Industrial automatic control
- Science analysis and experiment
- Space light detect equipment
- Response spectrum testing


Absolute maximum ratings:

parameter	symbol	value	unit
Operating temperature	Top	-40~+85	°C
Storage temperature	Tstg	-40~+100	°C
Forward current	I _f	15	mA
Reverse voltage	V _r	10	V
Soldering temperature(time)	T _s (10s)	260	°C

Electrical and optical characteristics:(T=25°C)

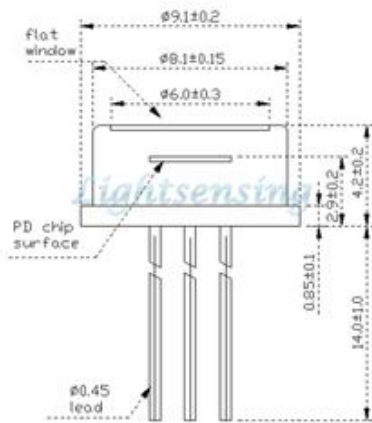
parameter	symbol	unit	Value (typ.)
Active diameter	Φ	mm	2
Spectral range	λ	nm	800-1700
Responsivity	Re(V _R =0V,λ=1310nm)	mA/mW	0.85
	Re(V _R =0V,λ=1550nm)	mA/mW	0.90
Response time	T _r (R _L =50Ω, V _R =5V)	ns	40
Dark current	I _d (V _R =0V)	nA	0.7
	I _d (V _R =5V)	nA	2
Reverse Breakdown voltage	V _{BR} (I _R =10uA)	V	20
Junction capacitance	C _j (f=1MHz, V _R =0V)	pF	1500
	C _j (f=1MHz, V _R =5V)	pF	300
Saturated Optical Power	P _s (V _R =5V)	mW	12
Operating voltage	V _R	V	0-5
Shunt resistance	R _{sh} (V _R =10mV)	MΩ	15
package	Hermetic TO5 Can or with receptacle		

NOTICE: The above product specifications are subject to change without notice.

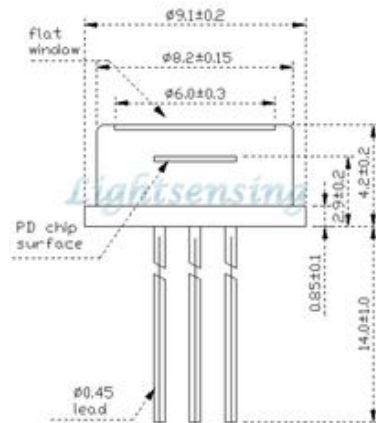
The typical Responsivity curve



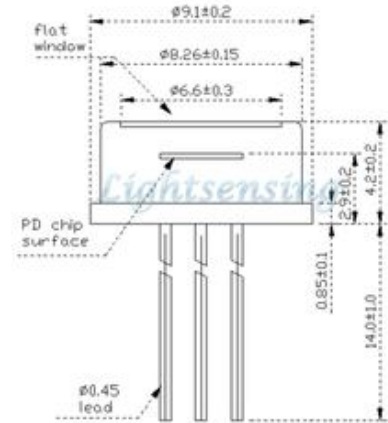
TO package and Lead



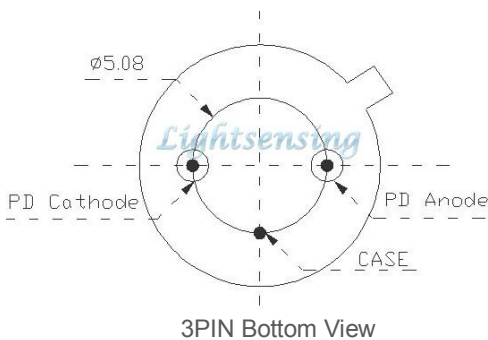
flat window 3PIN 8.1mm TO
Model: 08.1



flat window 3PIN 8.20mm TO
Model: 08.20



flat window 3PIN 8.26mm TO
Model: 08.26



Note: In order to get other dimensions, please contact us.

Order information

LSIPD-L2-X



X=08.1-Au	TO-5 Can with flat window Φ 8.1mm Au cap
X=08.20	TO-5 Can with flat window Φ 8.2mm nickel cap
X=08.26	TO-5 Can with flat window Φ 8.26mm nickel cap
X=08.26A	TO-5 Can with flat window Φ 8.26mm nickel cap and Antireflection Coatings
X=CWFC	TO-5 Can with replaceable receptacle with FC connector
X=CWSC	TO-5 Can with replaceable receptacle with SC connector
X=CWLC	TO-5 Can with replaceable receptacle with LC connector
X=CWST	TO-5 Can with replaceable receptacle with ST connector
X=CWFC-1	TO-5 Can with replaceable receptacle with FC connector and better repeatability but with lower saturated power
X=CWSC-1	TO-5 Can with replaceable receptacle with SC connector and better repeatability but with lower saturated power
X=CWLC-1	TO-5 Can with replaceable receptacle with LC connector and better repeatability but with lower saturated power
X=CWST-1	TO-5 Can with replaceable receptacle with ST connector and better repeatability but with lower saturated power
X=CWFC-20dB	TO-5 Can with replaceable receptacle with FC connector and 20dB attenuation
X=CWSC-20dB	TO-5 Can with replaceable receptacle with SC connector and 20dB attenuation
X=CWLC-20dB	TO-5 Can with replaceable receptacle with LC connector and 20dB attenuation
X=CWST-20dB	TO-5 Can with replaceable receptacle with ST connector and 20dB attenuation
X=20CWFC	TO-5 Can with 20mm replaceable receptacle with FC connector
X=20CWSC	TO-5 Can with 20mm replaceable receptacle with SC connector
X=20CWST	TO-5 Can with 20mm replaceable receptacle with ST connector
X=20CWLC	TO-5 Can with 20mm replaceable receptacle with LC connector
X=20CWFC-1	TO-5 Can with 20mm replaceable receptacle with FC connector and better repeatability but with lower saturated power
X=20CWSC-1	TO-5 Can with 20mm replaceable receptacle with SC connector and better repeatability but with lower saturated power
X=20CWST-1	TO-5 Can with 20mm replaceable receptacle with ST connector and better repeatability but with lower saturated power
X=20CWLC-1	TO-5 Can with 20mm replaceable receptacle with LC connector and better repeatability but with lower saturated power
X=Other	By customer's request

The cautions

- 1: The above product specifications are subject to change without notice.
- 2: The suitable ESD protecting measures are recommend in storage,transporting and using.
- 3: The fiber bending radius no less than 20mm for avoiding fiber damaged ,Be sure the fiber coupling facet is clean before connecting it to opto-circuit.