

850nm 0.5mW VCSEL coaxial laser diode

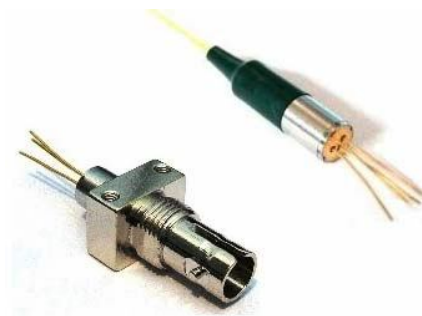
Version: 3.1 17-03-01

Model: LSVLD850-0.5
Features:

- VCSEL multimode
- Built-in monitor PD
- Low threshold/operate current
- High reliable
- Metal can type hermetic

Applications:

- Optical Sensing
- Optical communication
- Industrial automatic control
- Science analysis and experiment
- Test and Measurement Equipment


Absolute maximum ratings:

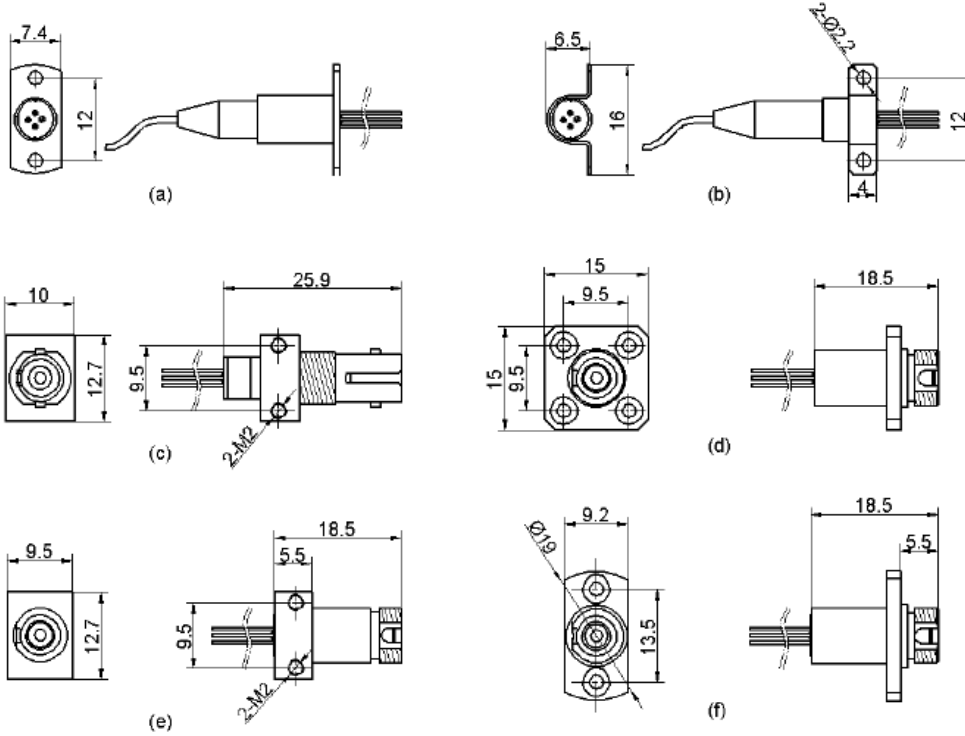
parameter	symbol	value	unit
Operating temperature	Top	0~+85	°C
Storage temperature	Tstg	-40~+85	°C
Forward current	If	12	mA
Soldering temperature/time		260/10	°C/S

Electrical and optical characteristics:(T=25°C)

parameter	symbol	Min.	Typ.	Max.	unit
Center wavelength	λ	830	845	860	nm
Threshold Current	I _{th}		1	5	mA
Operating Current	I _{op}		7	11	mA
Operating Voltage	V _{op}		2	2.3	V
Output power(from 62.5um MM fiber)	P		0.5		mW
Spectral width	$\Delta\lambda$		1	2	nm
Rise/ Fall time	Tr/Tf(I _{th} +6mA)		0.2	0.4	ns
Monitoring Output Current	I _m (I _{th} +6mA)	0.1	0.3		mA
package	Hermetic TO56 Can with fiber coupling or receptacle				

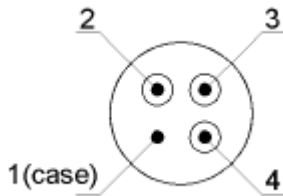
NOTICE: The above product specifications are subject to change without notice.

The package Dimensions



PIN description

Bottom View

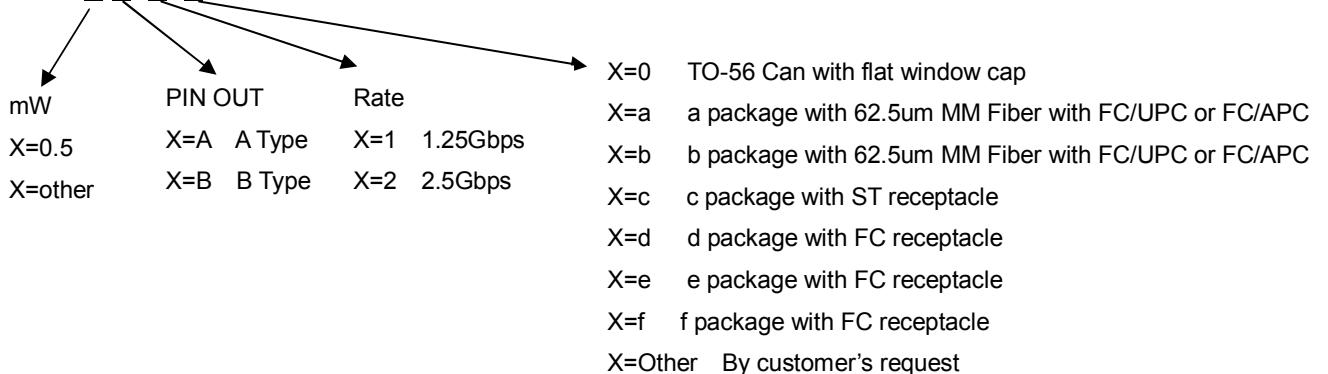


PIN OUT

	A type	B type
1	Gnd /LD(+)/PD(-)	GND
2	LD(-)	LD(-)
3	PD(+)	LD(+)/PD(-)
4	-	PD(+)

Order information

LSVLD850-X-X- X- X



The cautions

- 1: The suitable ESD protection is required in storage, transportation and using
- 2: The fiber bending radius no less than 20mm for avoiding fiber damaged ,Be sure the fiber coupling facet is clean before connecting it to opto-circuit.