

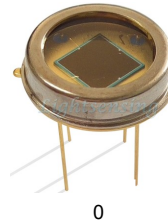
5.9mm Silicon PIN Photodiode

Version: 3.1.1 17-11-01

Model: LSSPD-5.9

Features:

- High reliability, low dark current
- 400-1100nm spectral range
- 405nm responsivity about 0.2mA/mW
- Active diameter 5.9x5.9mm
- Hermetic TO8 Can package or with receptacle



0

Applications:

- Optical sensor
- Optical measurement equipment
- Industrial automatic control
- IR/ Laser light Monitoring
- Fluorescence detector
- Medical equipment
- Spectrophotometry/CT scan



20CWFC



20CWSC



20CWST

Absolute maximum ratings:

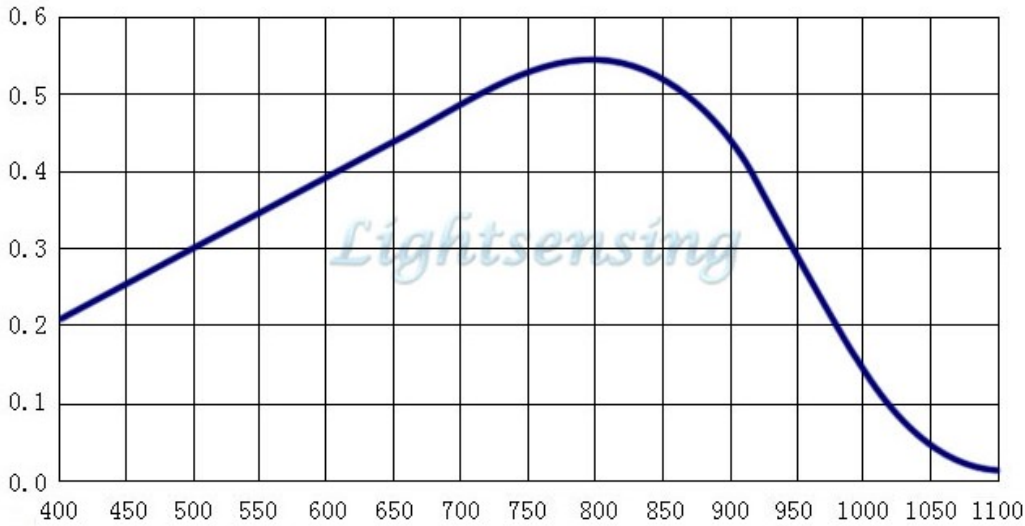
parameter	symbol	value	unit
Operating temperature	Top	-40~+85	°C
Storage temperature	Tstg	-45~+125	°C
Forward current	I _f	18	mA
Reverse voltage	V _r	20	V
Soldering temperature(time)	T _s (10s)	260	°C

Electrical and optical characteristics:(T=25°C)

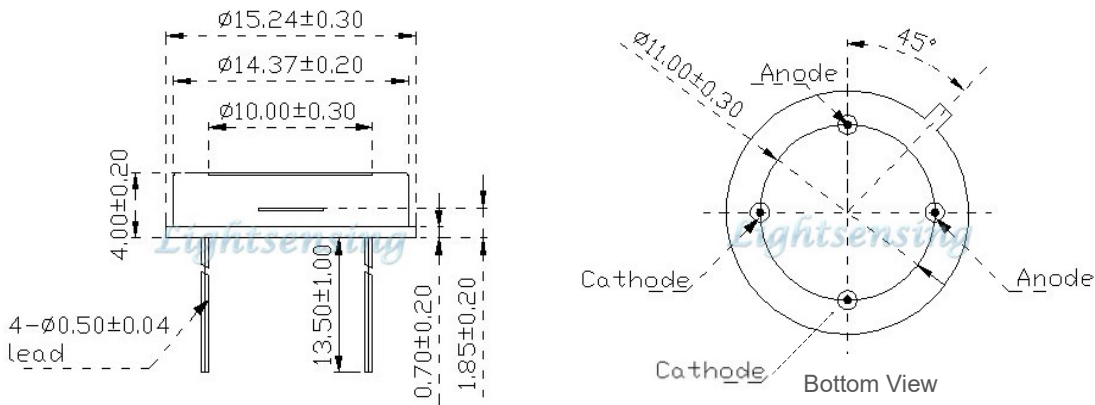
parameter	symbol	unit	Value (typ.)
Active diameter		mm	5.9×5.9
Spectral range	λ	nm	400-1100
Responsivity	Re(V _R =5V,λ=405nm)	mA/mW	0.23
	Re(V _R =5V,λ=650nm)	mA/mW	0.42
	Re(V _R =5V,λ=850nm)	mA/mW	0.50
	Re(V _R =5V,λ=1064nm)	mA/mW	0.05
Dark current	I _D (0V)	nA	0.05
	I _D (5V)	nA	1.2
Reverse Breakdown voltage	V _{BR} (I _R =10uA)	V	60
Junction capacitance	C _j (f=1MHz,0V)	pF	3000
	C _j (f=1MHz,5V)	pF	600
Saturated Optical Power	P _S (V _R =5V)	mW	30
Operating voltage	V _R	V	0-10
Shunt resistance	R _{sh} (V _R =10mV)	MΩ	200
package	Hermetic TO8 Can package or with receptacle		

NOTICE: The above product specifications are subject to change without notice.

The typical Responsivity curve



The TO8 package and Lead



Note: In order to get other dimensions, please contact us.

Order information

LSSPD-5.9 -X

- | | |
|----------|---|
| X=0 | TO-8 Can with flat window nickel cap |
| X=20CWFC | TO-8 Can with 20mm replaceable receptacle with FC connector |
| X=20CWSC | TO-8 Can with 20mm replaceable receptacle with SC connector |
| X=20CWST | TO-8 Can with 20mm replaceable receptacle with ST connector |
| X=Other | By customer's request. Example, We can provide photodiode with filter. |

The cautions

- 1: The above product specifications are subject to change without notice.
- 2: The suitable ESD protecting measures are recommend in storage, transporting and using.